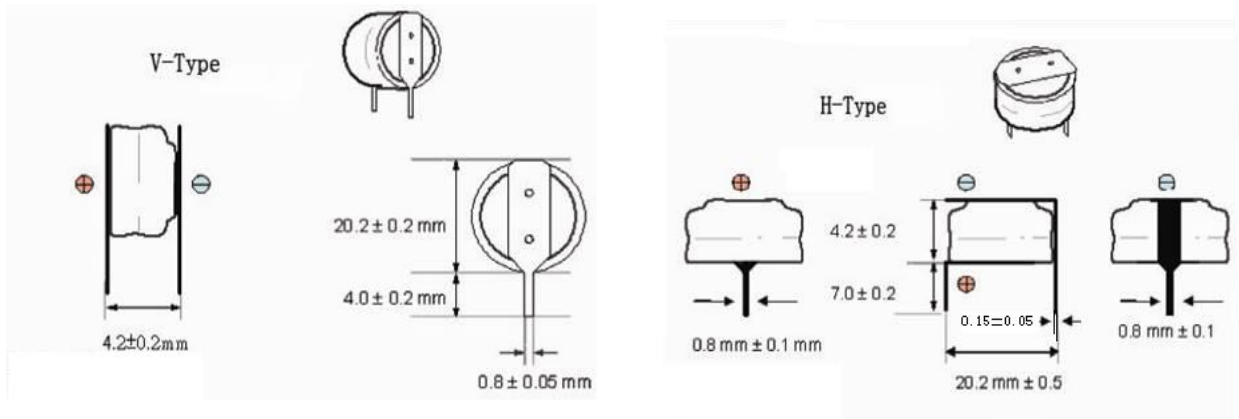


## 叠片型超级电容 (Convolute coin type Gold Capacitor, DKseries)



### 产品简介(Products introduction)

最大工作电压 Maximum Operating Voltage	容量 Capatance(F)	容量范围 capacitance range	在1kHz下内阻 Internal resistance at 1kHz	型号 Part number
5.5V	1.0F	0.8 ~ 1.8F	30	SCDK5R5105

### 产品参数 ( Specifications )

温度范围 Category temp.range	-25 ~+70		
低温特性 Characteristics at low temperature	容量变化 Capacitance change	初始测定值(+20 )的 ± 30% ( -25 ~+70 ) ± 30% of initial measured value at 20 ( -25 ~+70 )	
	内阻 Internal resistance	小于初始测定值(+20 )的5倍 ( -25 ) <5 times of initial measured value at +20 (at -25 )	
寿命 endurance	在70 、5.0V.DC加载条件下, 1000小时过后, 电容器参数变化 After 1000 hrs application of 5.0V.DC at 70 ,the capacitor shall meet the following limits	容量变化 Capacitance change	初始测定值的 ± 30% ± 30% of initial measured value at
		内阻 Internal resistance	小于初始测定值的4倍 <4 times of initial measured value at +20
储存寿命 Shelf life	在70 、无加载的条件下, 储存1000小时, 电容器参数变化同寿命栏参数	After 1000hrs storage at +70 ,without load,,the capacitor shall meet the specified limits for "endurance".	
耐湿性 Moisture resistance	在70 、相对湿度90%到95%、无加载的条件下同, 储存500小时, 电容器参数变化同寿命栏参数	After 500hrs storage at +55 ,90%to95% R.H.,the capacitor shall meet the specified limits for "endurance".	